

Product Information

THE PIPE II



Introducing THE PIPE — designed for the most rugged use and the toughest environments. It reads durable metal touch memory buttons and will withstand extreme temperatures and heavy shock.

Electronics and batteries are enclosed in a sealed compartment. All electronics are encased in epoxy and batteries are held in a vinyl sleeve mounting for added shock resistance.

THE PIPE will read hundreds of thousands of times without a battery change. From its stainless steel probe on one end to its heavy duty ring on the other, THE PIPE is built to take it.

THE PIPE is powered by lithium batteries and does not have any of the

problems associated with rechargeable batteries. There is no downtime waiting for batteries to recharge, so THE PIPE is available 24 hours a day.

Each touch button has a unique ID number. Touch buttons are tamper- and weather-resistant, and several mounting options are available.

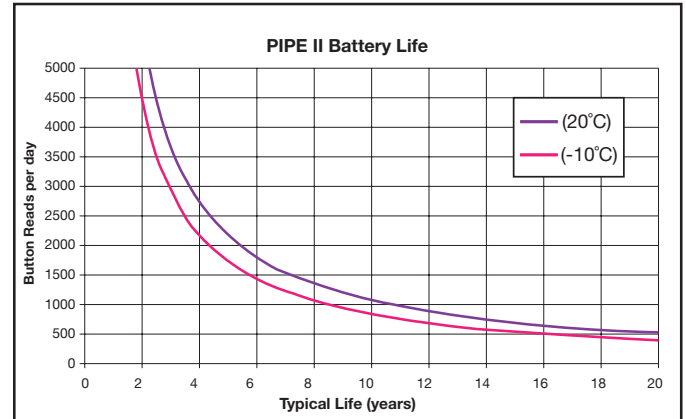
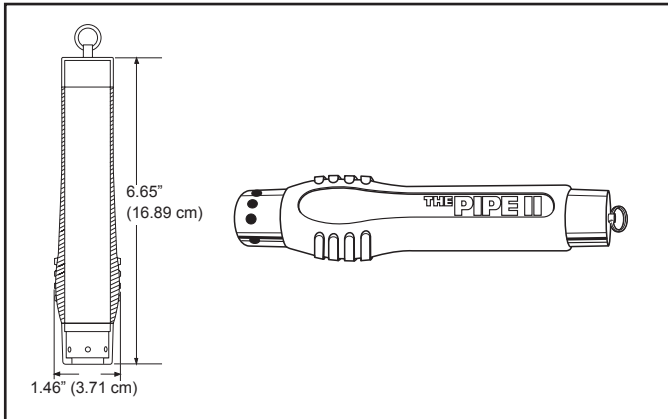
Data transfer is *fast*. With the USB Downloader it is possible to download a full PIPE containing over 4800 records in under ten seconds.

THE PIPE carries a five year hardware warranty and a five year battery warranty. Our warranty is *the best in the industry*.

The World's Most Rugged Data Collector!

- Comfortable grip, designed to fit your hand
- Extremely shock-resistant
- Tamper-resistant
- Water-resistant
- Reads durable metal touch memory buttons
- Compact downloader requires minimal desk space
- Downloader connects to a PC's USB port for data transfer
- Fast download time
- Large battery capacity
- Battery connections are soldered, not spring-loaded
- Data is stored in non-volatile flash memory if main battery fails
- The best warranty in the industry

Product specifications



Part Number

PIPE-II-TKS THE PIPE II

Mechanical

Body Corrosion resistant #304 stainless steel

Dimensions 6.65" length (16.89 cm)
1.46" width (3.71 cm)

Weight 12 oz. (373 g)

Ring Strength 100 lb. tensile load (45 kg)

Electrical

Read Indicator Bright red LED and loud buzzer

Data Collection Durable memory touch button

Battery Capacity 4,000,000+ reads depending on usage conditions

Memory Capacity 4800+ reads

Communications

Download Rate 115,200 bps

Download Time Full PIPE in under 10 seconds

Data Communication Bidirectional 57,600 bps

Environmental

Temperature Operating -4° to +122°F (-20° to 50°C)

Sealed Case Tamper resistant
Water resistant

Shock 10' drop (3 m)

Altitude Up to 10,000' (3048 m)

Regulatory

Emissions FCC and CE approved

Conform To IEN 50082-1
IEN 801-2.1984
IEN 801-3.1984
IEN 801-4.1984
IEN 55022.198

All specifications are subject to change without notice.

The Guard Tour Experts™
TimeKeeping
Systems, Incorporated

30700 Bainbridge Road • Solon, Ohio 44139 • Tel. 216-595-0890 • sales@guard1.com • www.guard1.com
© Copyright 2010 TimeKeeping Systems, Inc. • Guard1 and THE PIPE are registered trademarks of TimeKeeping Systems, Inc.